

561/562 Series ULTRAlign™ Accessories



Fiber to fiber via GRIN lens consisting of 561D-XYZ-LH, 561-FC (2 ea), 561-TS, 561-GR, 561D-XYZ, and 561-TILT

Ordering Information

Model (Metric)	Description
561-FH	Bare Fiber Holder for 125 μ m Fibers
561-FC	Fiber Chuck Holder
561-RFC	Fiber Chuck Rotation Mount
561-GM	Gimbal Fiber Chuck Positioner
561-FCH	FC Connectorized Fiber Holder
561-SCH	SC Connectorized Fiber Holder
561-LCH	LC Connectorized Fiber Holder
561-FCA3	SMA Connectorized Fiber Holder with Rotation
561-FCA4	FC Connectorized Fiber Holder with Rotation
561-FCA6	ST Connectorized Fiber Holder with Rotation
561-FCA8	LC Connectorized Fiber Holder with Rotation
561-FCA9	SC Connectorized Fiber Holder with Rotation
561-MM	Module Mount
561-V1	V-Groove Module, 1–1.75 mm
561-V2	V-Groove Module, 2–2.75 mm
561-V3	V-Groove Module, 3 & 3.25 mm
561-BL1	1 mm Ball Lens Module
561-BL2	2 mm Ball Lens Module
561-BL3	3 mm Ball Lens Module
561-GR	Gradient Index (GRIN) Lens Mount
561-OBJ	Objective Lens Mount
561-VH	Vacuum Waveguide Mount
561-UM (M-561-UM)	Universal Module
561-GBM	Blank, GRIN Lens Mount
561-OBM	Blank, Objective Lens Mount
561-UST	561 Fixed Platform, Universal Stand
561-TS	561 Fixed Platform, Narrow Profile T-Stand
562-UST	562 Fixed Platform, Universal Stand
562-TS	562 Fixed Platform, Narrow Profile T-Stand
561-ADPT	Adaptor, Raises 561 Stage to 562 Height
561-PCH	Photonic Crystal Fiber Mount Kit
561-PCH-M	Photonic Crystal Fiber Mount
561-PCH-V	Photonic Crystal Fiber V-Block
FPH-S-.175	Photonic Crystal Fiber Chuck

Bare Fiber Holder

- Improved design for 125 μ m diameter bare fibers
- Fiber gently held in precision V-groove



Bare fiber holder—561-FH



Fiber chuck holder—561-FC

Fiber Chuck Holder

- Designed to hold 0.25 in. (6.35 mm) diameter fiber chucks
- Mounts all Newport fiber chucks (see page 953)



Fiber chuck rotation mount—
561-RFC



Gimbal fiber chuck positioner—
561-GM



Connectorized fiber holder
561-FCH (for FC connector)



Connectorized fiber holder with
rotation
561-FCA3 (for SMA connector)
561-FCA4 (for FC connector)
561-FCA6 (for ST connector)
561-FCA8 (for LC connector)
561-FCA9 (for SC connector)



Photonic Crystal Fiber Kit includes
mount, v-groove and fiber chuck—
561-PCH



Module Mount—561-MM

Fiber Chuck Rotation Mount

- Designed to hold 0.25 in. (6.35 mm) diameter fiber chucks
- Rotation of 360° in θ_x , Sensitivity of 2°

Gimbal Fiber Chuck Positioner

- Designed to hold 0.25 in. (6.35 mm) diameter fiber chucks
- Rotation of 360° in θ_x , Tilt of $\pm 5^\circ$ in θ_x, θ_z
- Sensitivity of 2° in θ_x , ± 12 arc sec in θ_x, θ_z

Connectorized Fiber Holders

- Mounts FC, SC, or LC connectorized fibers

Connectorized Fiber Holders with Rotation

- Mounts SMA, FC, ST, LC, or SC connectorized fibers
- Fiber can be rotated 360° in holder

Photonic Crystal Fiber Mount

- Designed to hold short lengths of Photonic Crystal Fiber
- V-groove accepts 120-160 μm diameter bare fibers
- Small fiber chuck accepts 80-200 μm diameter bare fibers

Module Mount

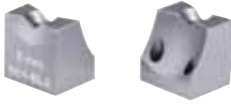
- Accepts modules for holding ball lenses, GRIN lenses, fiber collimators, and fiber ferrules
- Optics and devices are gently held in modules



V-Groove Modules—561-V1, 561-V2, and 561-V3

V-Groove Modules

- Modules for holding 1 to 3.25 mm diameter cylindrical devices
- Ideal for GRIN lenses, fiber collimators, and fiber ferrules
- Gently held in 561-MM Module Mount



Ball Lens Modules—561-BL1, 561-BL2, and 561-BL3

Ball Lens Modules

- Modules for holding 1, 2, or 3 mm diameter ball lenses
- Gently held in 561-MM Module Mount



Gradient index (GRIN) lens mount—561-GR

Gradient Index (GRIN) Lens Mount

- Mounts GRIN lenses up to 4.5 mm diameter
- Lenses held in a V-groove with a nylon-tipped setscrew



Objective lens mount—561-OB

Objective Lens Mount

- Mounts microscope and laser diode objective lenses
- Standard 0.800-36 RMS thread



Vacuum waveguide mount—561-VH

Vacuum Waveguide Mount

- One to eight vacuum ports can be used to mount small to large devices
- Requires a user supplied vacuum pump



Universal module—561-UM (M-561-UM)

Universal Module

- Use to mount custom component holders on the 561/562 rail



Blank, GRIN lens mount—561-GBM

Blank Mounts

- Machine to create custom component holders to mount on 561/562 rail



Blank, objective lens mount—561-OBM



Universal stand—561-UST

Universal Stand

- Fixed platform to mount a component next to a positioning stage



Universal stand—562-UST



T-stand—561-TS

T-Stand

- Fixed platform to mount a component between two positioning stages

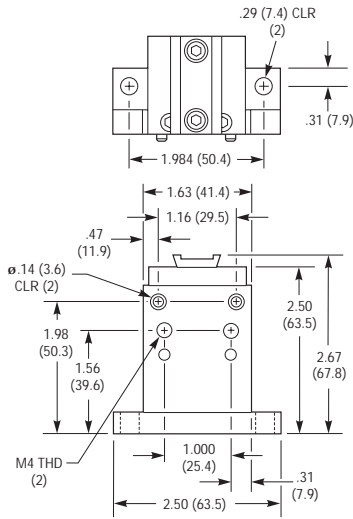
T-stand—562-TS

561 to 562 Height adaptor—561-ADPT

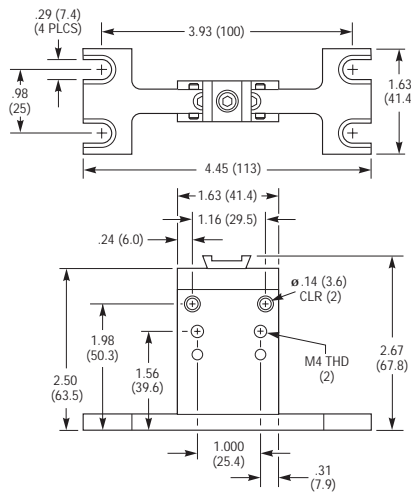
561 to 562 Height Adaptor

- Raises 561 stages to 562 stage height
- For use with 561-XYZ and 561-YZ

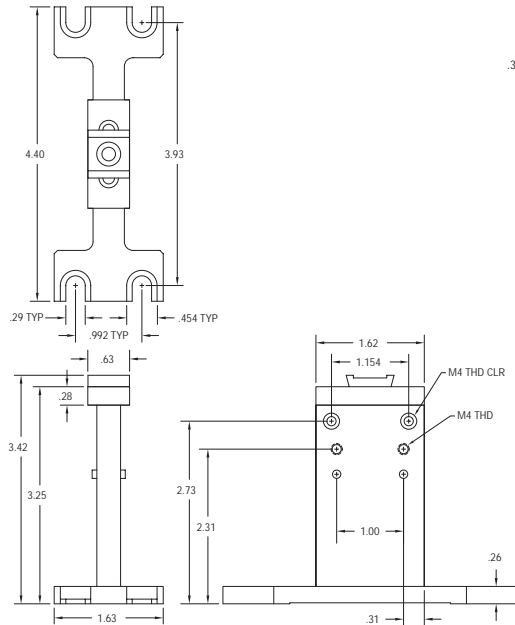
Model 561-UST



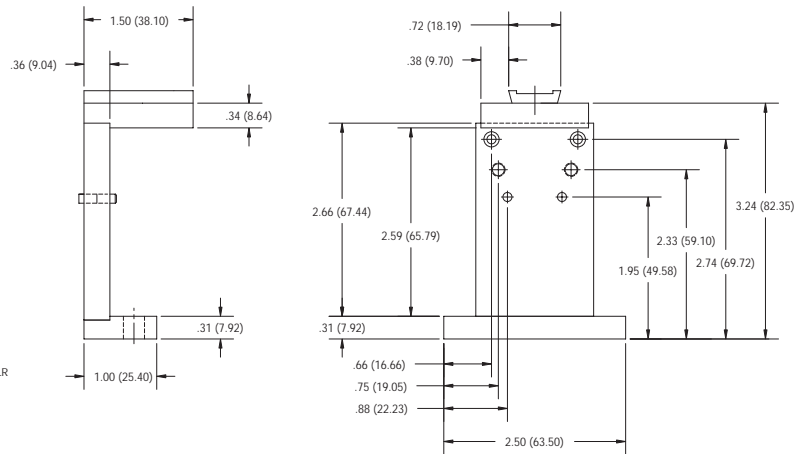
Model 561-TS



Model 562-TS



Model 562-UST



For additional drawings of these products, see www.newport.com.