

1107 SLD (Super-Luminescent Diode)

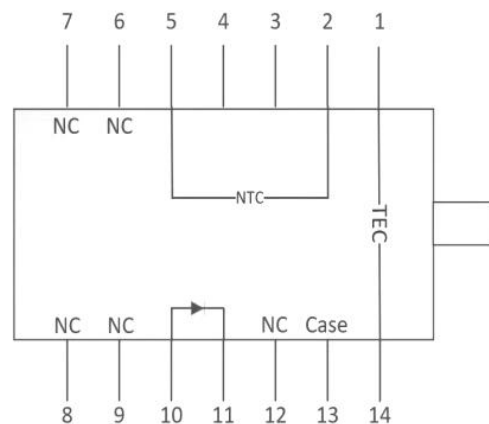
SLD-1310-10-BP

Super-Luminescent Diode, 1310 nm, Up to 10 mW

Type	14-Pin Butterfly
Wavelength Range	1310 nm
Threshold Current	55 mA
Optical Output Power	11.6 mW
Spectral Width	44.6 nm
Spectral Ripple	0.07 dB
Output Fiber Type	SM Fiber

FUNCTIONAL DIAGRAM

Pin#	Function	Pin#	Function
1	Cooler Anode	8	NC
2	Thermistor	9	NC
3	NC	10	LD Anode
4	NC	11	LD Cathode
5	Thermistor	12	NC
6	NC	13	Case Ground
7	NC	14	Cooler Cathode



Order notes to our customers: The default parameters are as follows. For special needs, please contact sales.

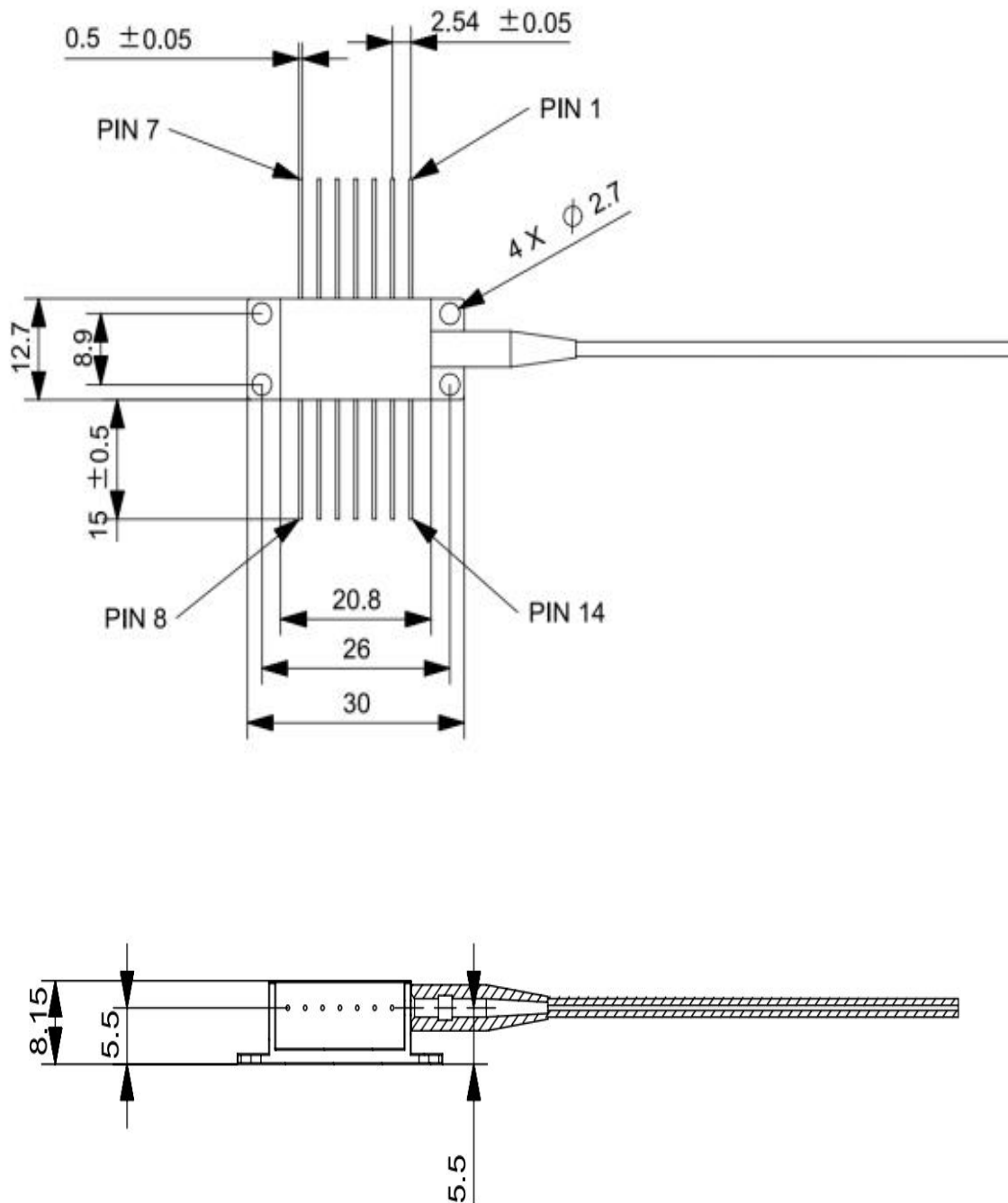
1) Connector FC/APC, 900 um, 1 m by default for all devices except for high power devices.

2) Slow axis working, fast axis blocked, connector key is aligned to slow axis by default for PM devices.

1107 SLD (Super-Luminescent Diode)

SLD-1310-10-BP

MECHANICAL DRAWING



Order notes to our customers: The default parameters are as follows. For special needs, please contact sales.

- 1) Connector FC/APC, 900 um, 1 m by default for all devices except for high power devices.
- 2) Slow axis working, fast axis blocked, connector key is aligned to slow axis by default for PM devices.