

1105 LED Short Wavelength

LD-650-30-CX



650 nm LD, 30 mW, Coaxial Package, SM Fiber

The Optilab LD-650-30-CX is a 650 nm laser diode. It utilizes multi quantum well Fabray Perrot semiconductor laser structure and packaged in TO56 coaxial housing with fiber pigtail. It features a built-in power monitor photo diode and offers excellent stability and reliability. This product can be used for optical sensing, test and measurement equipment, ect.

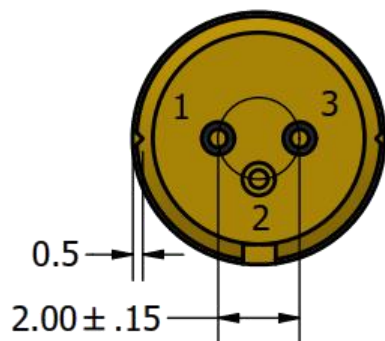
FEATURES

- MQW Fabray Perrot
- 650 nm Wavelength
- 30 mW Output Power
- Fiber Pigtailed Output
- Highly Reliable
- Built-in Monitor PD

USE IN

- Optical Fault Locator
- Laser Positioning
- Biology and Medical Equipment
- Optical Sensing
- Industrial Automatic Control
- Test and Measurement Equipment

FUNCTIONAL DIAGRAM



Pin 1	PD+
Pin 2	LD+ / PD-, case
Pin 3	LD-

Order notes to our customers: The default parameters are as follows. For special needs, please contact sales.

1) Connector FC/APC, 900 um, 1 m by default for all devices except for high power devices.

2) Slow axis working, fast axis blocked, connector key is aligned to slow axis by default for PM devices.

1105 LED Short Wavelength

LD-650-30-CX



Center Wavelength	650±15 nm
Optical Output Power	30 mW typ.; 20 mW min.
Spectral Width	3 nm typ.
Threshold Current	30 mA typ.; 50 mA max.
Operating Current	90 mA typ.; 110 mA max.
Operating Voltage	2.6 V typ.; 3.3 V max.
Monitor PD Current	1 mA typ.; 0.02 mA min.; 3 mA max.
Laser Diode Drive Current	130 mA
Photo Diode Reverse Voltage	+5 V
Operating Temperature	-10 °C to +60 °C
Storage Temperature	-40 °C to +85 °C
Soldering Temperature	260 °C for 10 sec
TO Outer Diameter	6.2±0.2 mm
Fiber Pigtail Length	1.0±0.1 m
Fiber Type	G652D Compatible 9 μm Fiber 4 μm Fiber Option Available
Fiber Connector	FC/APC (Standard) or SC/APC

Order notes to our customers: The default parameters are as follows. For special needs, please contact sales.
1) Connector FC/APC, 900 μm, 1 m by default for all devices except for high power devices.
2) Slow axis working, fast axis blocked, connector key is aligned to slow axis by default for PM devices.

1105 LED Short Wavelength

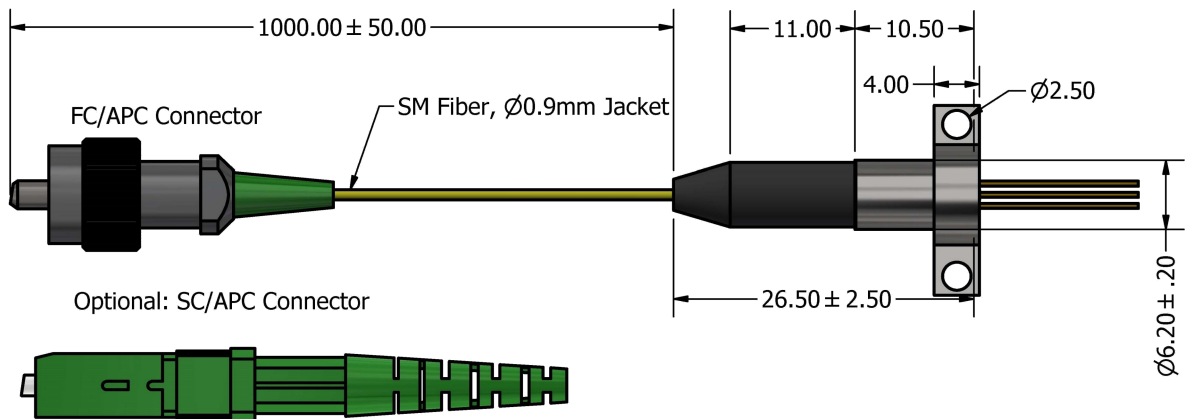
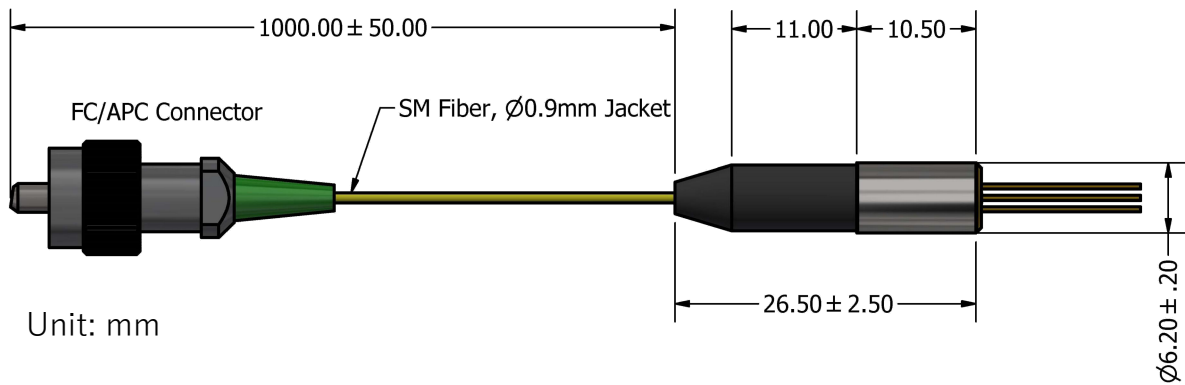
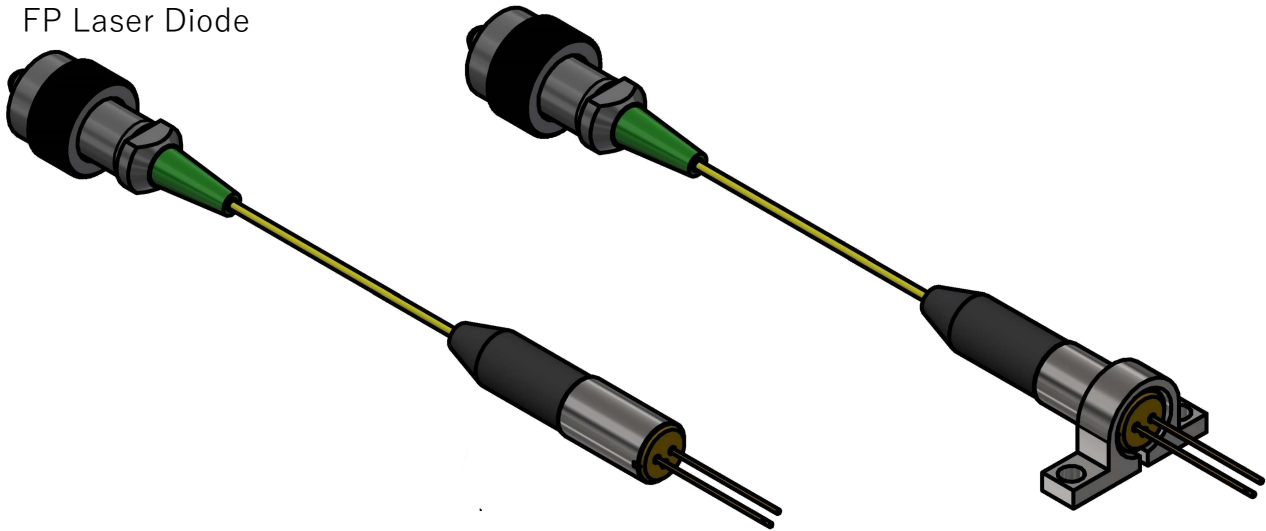
LD-650-30-CX



MECHANICAL DRAWING

Fiber Coupled Coaxial
FP Laser Diode

Laser Diode w/ Heat Sink



Order notes to our customers: The default parameters are as follows. For special needs, please contact sales.
1) Connector FC/APC, 900 um, 1 m by default for all devices except for high power devices.
2) Slow axis working, fast axis blocked, connector key is aligned to slow axis by default for PM devices.