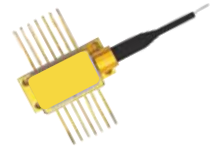


1001 980 nm Pump

PL-980-160



980 nm Pump Laser Diode, 160 mW Kink Free, TEC, FBG

The 980 nm pump module is currently deployed in many of today’s DWDM systems and HFC distribution systems. This module has proven reliability with more than 100 million field deployed hours of operation. The pump module uses fiber Bragg grating stabilization to “lock” the emission wavelength and provides a noise-free narrow band spectrum even under changes in temperature, drive current and optical feedback.

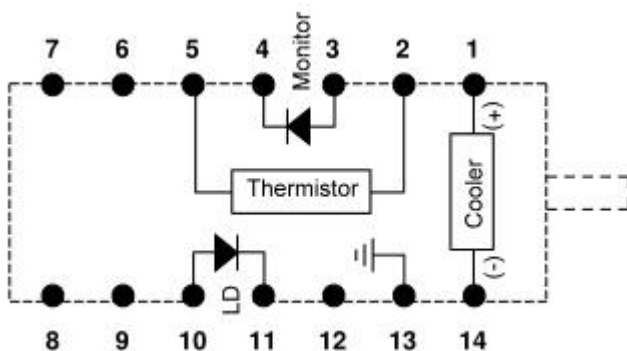
FEATURES

- Fiber Bragg Grating Stabilized
- High Kink-free Powers to 160 mW
- Wavelength Selection Available
- Superior Tracking Error and Tracking Ratio
- Integrated TEC and Thermistor

USE IN

- DWDM EDFAs
- HFC Distribution
- High Bit Rate, High Channel Count EDFAs

FUNCTIONAL DIAGRAM



Pin Description

- 1 Cooler (+)
- 2 Thermistor
- 3 Monitor PD Anode
- 4 Monitor PD Cathode
- 5 Thermistor
- 6 N/C
- 7 N/C

Pin Description

- 8 N/C
- 9 N/C
- 10 Laser Anode
- 11 Laser Cathode
- 12 N/C
- 13 Case Ground
- 14 Cooler (-)

Order notes to our customers: The default parameters are as follows. For special needs, please contact sales.

1) Connector FC/APC, 900 um, 1 m by default for all devices except for high power devices.

2) Slow axis working, fast axis blocked, connector key is aligned to slow axis by default for PM devices.

1001 980 nm Pump

PL-980-160

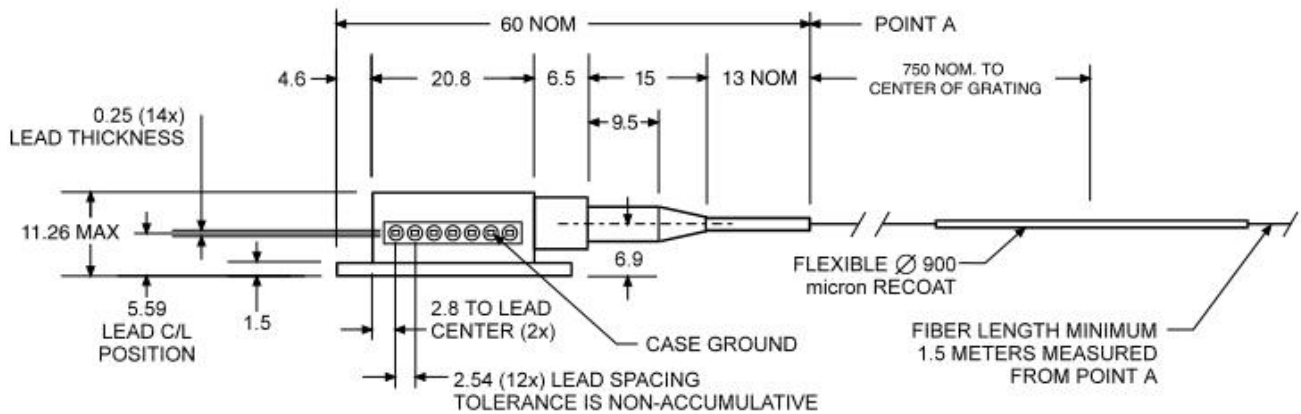
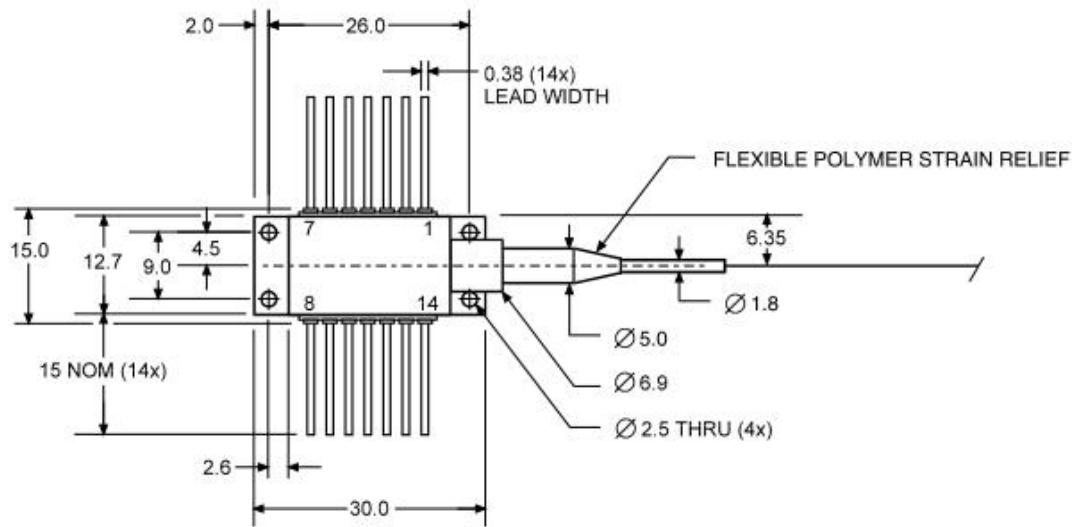
Peak Wavelength	974 nm min.; 985 nm max.
Spectrum Shift vs. Temperature	0.02 nm/°C max.
Spectrum Stability	0.1 nm max.
Threshold Current	25 mA max.
Operating Power	145 mW max.
Operating Current	320 mA max.
Kink-Free Power	160 mW max.
Kink-Free Current	350 mA max.
LD Forward Current	500 mA max.
LD Reverse Current	20 uA max.
LD Reverse Voltage	4.5 V max.
Monitor PD Current	50 uA min.
Monitor PD Reverse Current	5E-9 A max.
Monitor PD Reverse Voltage	20 V max.
MPD Forward Current	5 mA max.
Thermistor Voltage	5 V max.
Thermistor Current	2 mA max.
Thermoelectric Cooler Voltage	4 V max.
Thermoelectric Cooler Current	2.5 A max.
Thermistor Resistance	9.5 KΩ min.; 10.5 KΩ max.
TEC Voltage	2.5 V max.
TEC Current	1.5 A max.
Cladding Diameter	125±2 um
Coating Diameter	250 um
Mode-field Diameter	6.5±1 um
Fiber Type	SM
Operating Case Temperature	-40°C to +75°C
Storage Temperature	-20 °C to +70 °C
Tensile Stress	5 N max.
Bend Radius	12.5 mm max.

Order notes to our customers: The default parameters are as follows. For special needs, please contact sales.
1) Connector FC/APC, 900 um, 1 m by default for all devices except for high power devices.
2) Slow axis working, fast axis blocked, connector key is aligned to slow axis by default for PM devices.

1001 980 nm Pump

PL-980-160

MECHANICAL DRAWING Unit: mm



Order notes to our customers: The default parameters are as follows. For special needs, please contact sales.
1) Connector FC/APC, 900 um, 1 m by default for all devices except for high power devices.
2) Slow axis working, fast axis blocked, connector key is aligned to slow axis by default for PM devices.