

PD-1-DL



DEVICE

Linear InGaAs PIN Photodetector, 1 GHz, Dual in-line Package

OVERVIEW

The Optilab PD-1-DL photodetectors represent a family of lowprofile, high-reliability pigtailed devices specially engineered for the rigorous demands of either analog applications or digital fiber-optic applications. The low-profile package is an 8-lead DIP that allows pinout-equivalent replacements for lower-performance coaxial-type packages. This makes it ideal for close board-to-board spacing situations. PD-1-DL provides high responsivity (0.90A/W) at the 1300nm. Contact Optilab for more details

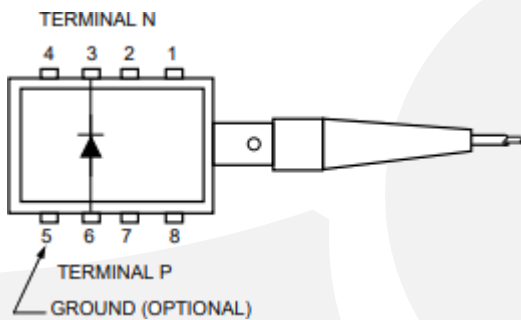
FEATURES

- 1100 ~ 1600 nm Operation
- 1 GHz Bandwidth
- DIP Package
- High Responsivity : 0.90A/W @ 1310nm
- High Reliability

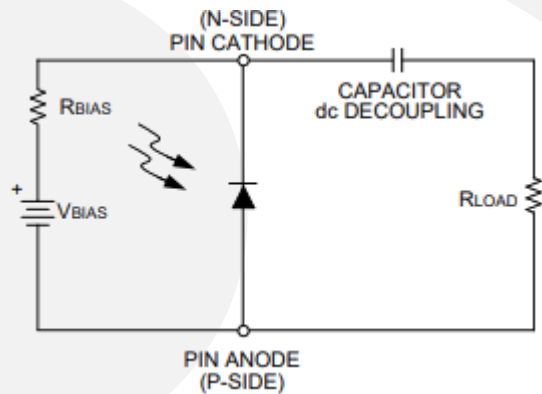
USE IN

- Microwave System
- CATV
- 1Gb/s fiber channel

PINOUT

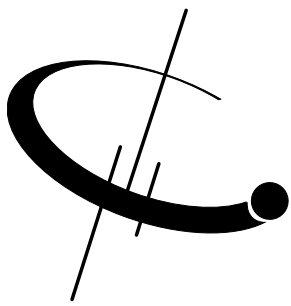


Pinout



Bias Connection





PD-1-DL

SPECIFICATIONS

Wavelengths

1100nm to 1600nm

GENERAL

Responsivity

0.90 A/W typ @ 1310nm

Dark Current

1.0 nA typ.

Bandwidth

1 GHz typ

Optical Gain

40 dB max., 50 dB w/ optional PA

Capacitance

0.7 pF typ.

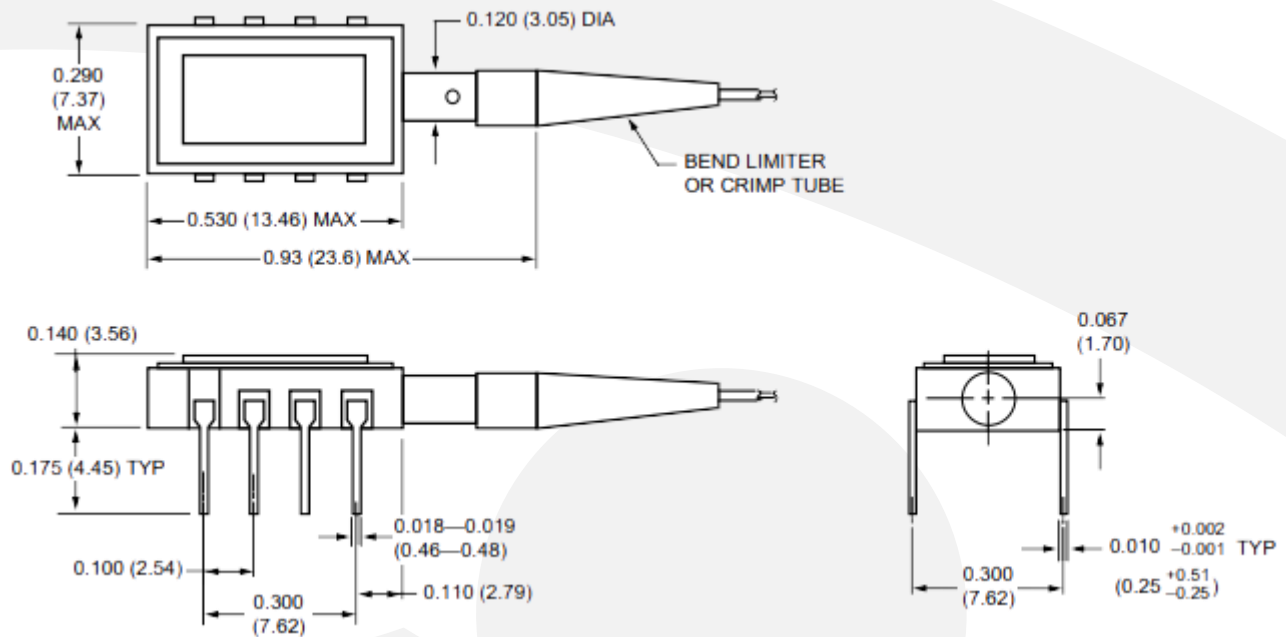
Reverse Voltage

15 V typ.

Back Reflection

-60 dB typ.

MECHANICAL DRAWING



RELATED PHOTODIODE

- PD-1

The Optilab PD-1 is PIN Photodiode with very high linearity and low capacitance over a 1GHz bandwidth in a coaxial package. Contact Optilab for more information.

